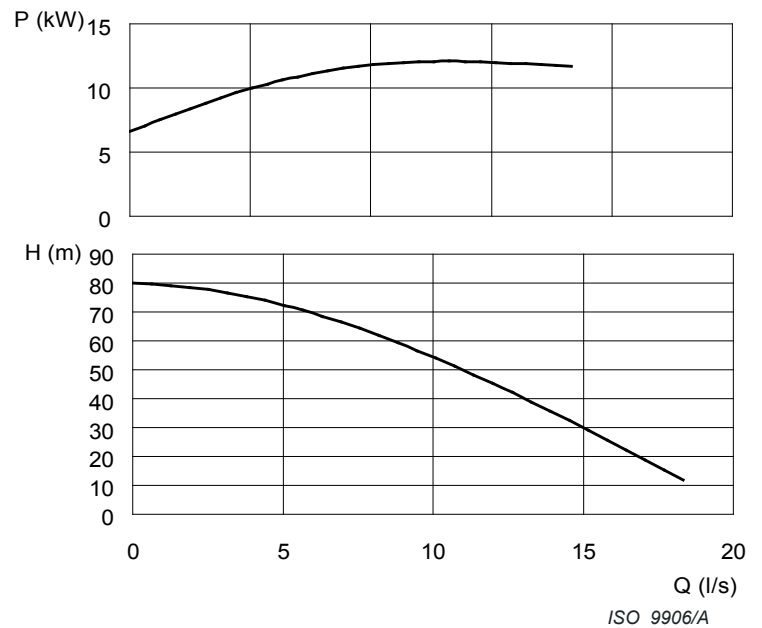
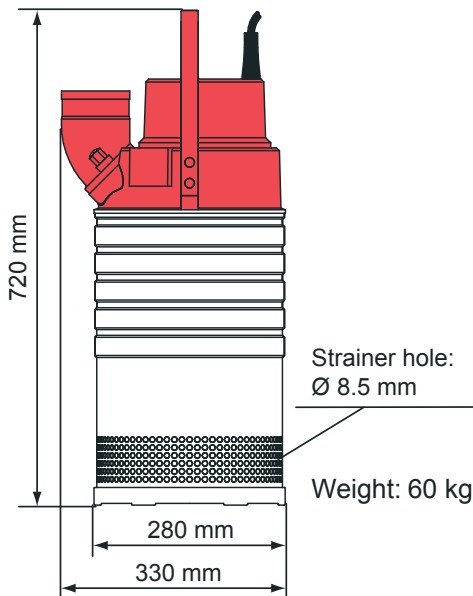


MASTER SH

Electrical submersible drainage pump



Classification

Electrical submersible pump
 Protection class: IP68
 Max. submersion depth: 20 m

Electrical motor

Squirrel cage induction motor
 Insulation class: F (IEC 85)

Technical data

Shaft speed	rpm	3440
Rated output	kW	10,5
Max. power cons.	kW	12
Rated current A at	230 V	33
	460 V	16
	575 V	13

Other voltages on request

Motor protector

Phase sequence control, phase failure guard, temperature guard with thermal contacts in the stator (= SMART-system), airvalve, DOL or star/delta

Power cable

SUBCAB, length 20 m
 4G6 mm² or 10AWG/4 U = 230 V
 4G2.5 mm² or 12AWG/4 U > 230 V

Shaft seals

Double mechanical shaft seals with an oil compartment between the seals
 Material lower seal: Silicon carbide - silicon carbide
 Material upper seal: Carbon - silicon carbide

Bearings

Lower: Double angular contact ball bearing with C3 clearance
 Upper: Ball bearing with C3 clearance

Discharge connections

3", Hose, ISO-G or NPT

Materials

Casted parts	Aluminium
Outer casing	Stainless steel
Motor shaft	Stainless steel
Impeller	Cr-alloyed white cast iron
Screws and nuts	Stainless steel
Diffusers	Polyurethane or nitrile rubber

Accessories

Tandem connection
 Low suction collar
 Zinc anodes
 Float switch

Limitations

Max. submersion depth: 20 m
 Max. liquid temperature: 40°C
 Max. liquid density: 1100 kg/m³
 pH of the liquid: 5-8