

FGDSS-N™

Single Slurry Seals



- Single seal suitable for all FGD, Mining and Mineral Ore production applications
- Long lasting, abrasion resistant materials of construction
- Robust construction designed for ease of installation
- Rapid delivery on engineered and customized designs

Proudly Distributed By:



Slurry Pump Before AESSEAL® solution



Slurry pump after installing AESSEAL® solution

Slurry Sealing

AESSEAL® has been successfully sealing slurries for decades throughout all industries including:

- Mining & Mineral Extraction: Cutting Heads and Conveying
- Mining & Mineral Extraction: Ore Recovery, Tailing Disposal and Dewatering
- Pulp & Paper: Black Liquor, Coatings and Medium/High-Duty Stock Processing
- Power Generation: Flue Gas Desulphurization/Scrubbers and Coal Slurry
- Waste Water Production: Macerators and Digested Sludge
- Textiles: Dye Liquors and Fibrous Slurries
- Off-Shore Production: Sand/Gravel Oil Extraction
- Building Services: Asphalt, Pitch, Sand and Cement

Over the years, AESSEAL® has sealed all major slurry equipment types and models. Solutions for some of the more commonly encountered manufacturers include Weir Warman®, Denver Orion, Metso, Goulds, GIW® and KSB. Our wide range of seal support systems and bearing protectors complement the mechanical seal range, enabling the supply of TOTAL packaged solutions for all slurry applications.

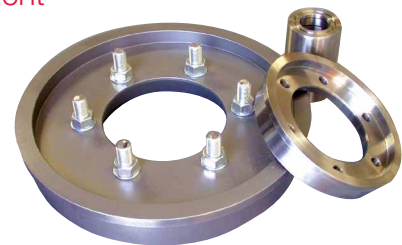
Why Consider AESSEAL® for Slurry Sealing Applications?

- Conformance to increasing environmental, EPA and government legislation
- Improved equipment reliability and performance
- Rapid delivery performance, including customized designs
- Full upgrade and replacement service for OEM and non-AES products

Successful Sealing - Change the Environment on Old Equipment

AESSEAL® can provide seal conversion kits to upgrade non-AES seal designs or to change the OEM equipment seal environment, dramatically improving seal life.

- Creates an ideal seal environment
- One-off purchase
- No primary equipment/shaft wear
- Produced in a wide range of abrasion/chemical resistant materials



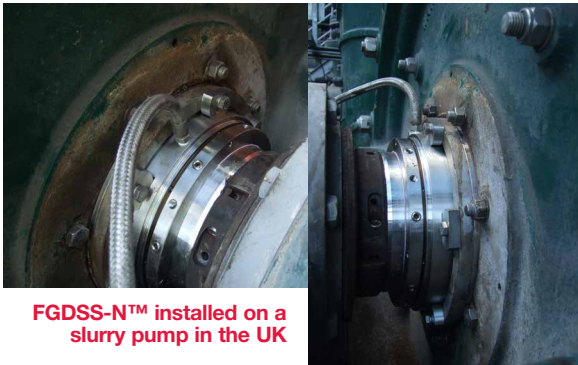
AESSEAL® Conversion Kit

AESSEAL® offers a full repair service for most of the common slurry seals found on the market today. This service includes:

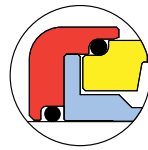
- The supply of new faces in silicon carbide and/or tungsten carbide
- Replicated exotic alloy metallic components
- Metal recovery spraying of worn seal areas

FGDSS-N™

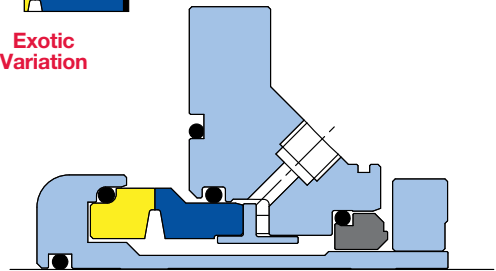
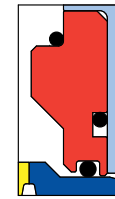
Single Cartridge Seals for Slurry Duties



FGDSS-N™ installed on a slurry pump in the UK



Exotic Variation



FGDSS-N™ - Single Cartridge Seal

Shaft Size*	up to 9.250" (235mm)
Face Materials	Silicon Carbide
Elastomer Options	FKM / EPDM / FFKM / TFE/P

*Not all sizes inventoried, not all metallurgies may be offered in all sizes. Contact your nearest AESSEAL® office for availability

Design Feature	Customer Benefit
Available in 316L Stainless Steel, Super Duplex, and Alloy C276†	Improved abrasion, erosion and corrosion resistance improving seal life ✓
Repair friendly - easy fitting	Minimal downtime - in-field repair ✓
Robust drive mechanisms	Reduced possibility of seal face damage ✓
Large radial clearances and shrouded multi-spring design	Improved seal face loading, which increases seal life ✓
No flush port/connection	Removes the need for gland seal and service water ✓
Hydraulically balanced seal faces	Reduced seal face heat generation and improved life ✓
Can be supplied and adapted to suit any slurry pump	No equipment modifications required ✓

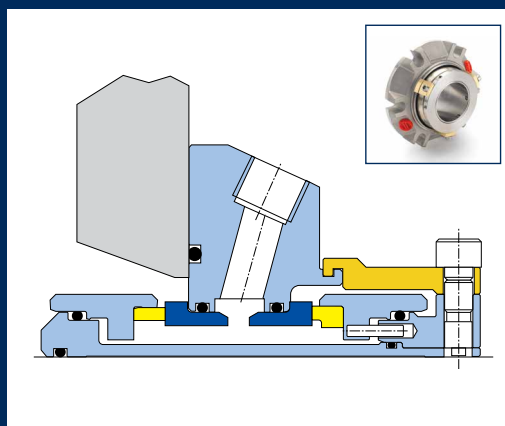
† Exotic materials may not be available in larger sizes.

Other sizes and/or materials may be offered subject to review & approval by AESSEAL® technical department

Double Cartridge Seals

AESSEAL® has a comprehensive product range designed to seal slurries.

The CDPH™ range of double cartridge seals shown, are suitable for use with a wide range of slurry pumps. In South Africa, CDPH™ seals have been installed on Fly Ash Transfer pumps replacing gland packing. The CDPH™ seals with SSE-25™ support systems have reduced water consumption by over 200 litres/minute (52 gallons/minute).



CDPH™ Cartridge Double for heavy duty slurries



Double seal and SSE-25™ System installed on a Slurry pump

Bearing Protection - All Rotating Equipment

Typically, wherever there is slurry, there is abrasive dust that works its way into the bearings of the rotating equipment.

AESSEAL® is a world leader in bearing seal technology and has a proven product range to seal all types of aggressive environments, specifically those synonymous with sealing slurries.

Applications

- Conveyor sealing
- Pillow block sealing
- Gearbox sealing
- Electric motor sealing
- Pump & agitator sealing
- Fans and blower sealing



LabTecta™ installed on an Alumina Electric Motor duty

Bearing Seal Designs

- Contact seal designs
- Non-contact seal designs
- Designs that accept angular misalignment
- Designs that accept axial shaft movement
- Split seal designs
- Air purge designs



LabTecta-OAP-PB™ installed on a Pillow Block duty



This brochure is fully recyclable. When laminated, a sustainable, biodegradable and recyclable lamination is used.

For further information and safe operating limits contact our technical specialists at the locations below.



UK Sales & Technical advice:

AESSEAL plc
Mill Close
Bradmarsh Business Park
Rotherham,
S60 1BZ, UK
Tel: +44 (0) 1709 369966
E-mail: enquiries@aes seal.info
www.aes seal.com

AESSEAL plc is certified to:

ISO 9001, ISO 14001, ISO/IEC 20000, ISO/IEC 27001,
ISO/TS 29001, ISO 37001, ISO 45001 & ISO 50001



Net Zero champions globally



Use double mechanical seals with hazardous products.

Always take safety precautions:

- Guard your equipment
- Wear protective clothing



USA Sales & Technical advice:

AESSEAL Inc.
355 Dunavant Drive
Rockford,
TN. 37853,
USA

Tel: +1 865 531 0192
E-mail: usa@aes seal.com
www.aes seal.com

Important: Since the conditions and methods of use of this product are beyond our control, AESSEAL plc expressly disclaims any and all liability resulting or arising from any use of this product or reliance on any information contained in this document - AESSEAL plc standard conditions of sale apply. All sizes are subject to manufacturing tolerances. We reserve the right to modify specifications at any time. AESSEAL® is a Registered Trademark of AES Engineering Ltd, AESSEAL plc recognizes all trademarks and trademark names as the property of their owners.